



Toroidal Solid Core Current Transformers Revenue Grade Small and Large Sizes

Description

The Siemens SCT-RGT12 series of Solid-Core current transformers are designed for Revenue Grade applications that require maximum accuracy and precision when used with the Siemens MD series power meter. These toroidal current transformers are designed for applications where an AC current signal must be transformed into lower AC current or voltage signal appropriate for micro-processor based circuits.

This series of CTs is designed specifically for integration into products which require exceptionally accurate signal transformation with low phase shift while exposed to harsh environmental operating conditions. They are ideal for use in high accuracy current measurement applications such as energy and demand metering, tenant submetering, solar power measurement, and load surveys.

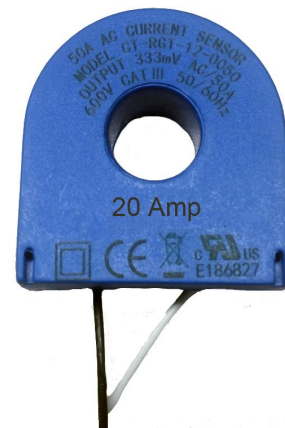
Revenue Grade performance of these CTs meets or exceeds the accuracy specifications for IEC 61869-2 Class 0.2 and IEEE C57.13 Class 0.3.

They are available for current inputs up to 400 Amps.

Features

- Available with one window size: 0.5" (12.8 mm)
- Available in four current ranges:

Model	Current Range
5A, Small	0.05A to 10A AC
20A, Small	0.20A to 40A AC
50A, Large	0.50A to 100A AC
100A, Large	1.0A to 200A AC
- Output: 333.3 mV at rated current.
- Revenue Grade Accuracy.
- Made in the USA.



SCT-RGT12 Style CT

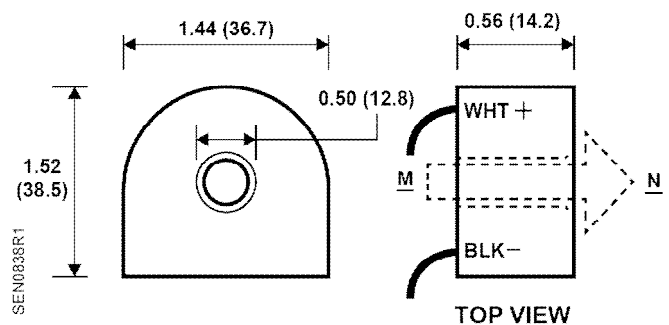



Figure 1. CT Dimensions in Inches (mm).

Specifications

Electrical	Output Signal	333.3 mV at rated current
	Wire Colors	White = (+) High, positive Black = (-) Low, negative
	Frequency Range	50 Hz to 400 Hz
	Phasing Orientation	Label to Source/White wire (+)
	Ratio Error	+/- 0.2% at rated current (typical)
	Phase Error	< 0.2°
Mechanical	Case Material	PBT resin, UL 94V-0, epoxy fill
	Leads	8 ft (2.4 m), twisted pair, 24 AWG, MTW UL1015, 600V, 105°C
	Operating temperature	-40°C to 55°C (-40°F to 131°F)
	Weight	SCT-SRS 0.50 lb. SCT-SRL 0.65 to 0.75 lb
Safety	Working Voltage	600 Vac, Category III Double Insulated
	Dielectric Strength	5400 Vac
	Certifications	Conforms to: UL STD 61010-1, EN60044-1  Certified to CAN/CSA Standard C22.2 No. 61010-1
Accuracy	Meets Accuracy Requirements For:	IEC61869-2 Class 0.2 IEEE C57.13 Class 0.3

Ordering Information

Part Number	Description
Small Revenue Grade CTs	
SCT-RGT12-0005-U	Toroidal Solid-Core Revenue Grade CT; 0.5" Opening; 5A
SCT-RGT12-0020-U	Toroidal Solid-Core Revenue Grade CT; 0.5" Opening; 20A
Large Revenue Grade CTs	
SCT-RGT12-0050-U	Toroidal Solid-Core Revenue Grade CT; 0.5" Opening; 50A
SCT-RGT12-0100-U	Toroidal Solid-Core Revenue Grade CT; 0.5" Opening; 100A

Information in this document is based on specifications believed correct at the time of publication. The right is reserved to make changes as design improvements are introduced. Product or company names mentioned herein may be the trademarks of their respective owners.
© 2017 Siemens Industry, Inc.